

Mobile Lighting Tower 2000w Halogen

BALLOON :

- Dimension : 1075mm diameter & 600mm height
- Material : Rip-stop nylon with polyurethane coating
- Non flammable & UV-resistant envelope material
- Elliptical shape offers strong wind resistance of up 100 km per hour / 62.5 miles per hour
- Built in high heat resistance reflector for optimal light output
- Inflated by a blower with internal pressure of 3 mbar / 300 pa
- Built in pressure sensor to withstand strong falls or impact
- Continuous circulating air maintains envelope inflated and keep the lamps cool
- Auto power cut off switch to prevent eye damage if internal pressure is reduced
- Glare free light for less eye strain and no blind spots
- Shadow free light for safer working environment

TILTING HEAD DEVICE :

- Dimension : 100mm diameter & 110mm width
- Material : POM-C
- ASTM Test : Hardness (Rockwell) – R116
- ASTM Test (D256) : Impact Strength(Izod notched) – 6.1 kg/cm²
- ASTM Test (D638) : Tensile strength – 685 kg/cm², Elongation (At yield) – 40%, Tensile modulus – 31900 kg/cm²,
- ASTM Test (D648) : Deflection temperature (18.5kg/cm²) – 106 degrees celisius
- ASTM Test (D695) : Compressive strength (10% deformation) – 885 kg/cm²
- For tilting the envelope up to 90 degrees for directional lighting
- Can fit various pole sizes

POLE / BASE STAND :

- Dimension : 40 mm diameter & 1.1 meter height
- Material : Epoxy coated steel & aluminium for resistance of rust, corrosion & oxidation
- Adjustable height of up to 3.62 meters for wider lighting coverage
- Strong & wide expandable base of 1.2 meter for stability

ELECTRICAL DATA (230V) :

- Lamp type – Halogen tubular lamp with E40 cap, C-8 filament
- Lamp dimension: –
38 mm diameter X 280 mm length (1000W)
38 mm diameter X 295 mm length (2000W)
- Lamp power – 2 no's of 1000 watt / 1 no of 2000 watt
- Average Lamp lifespan – 2000 hours
- Lamp maximum temperature – 500 degrees Celsius
- Power supply protection – 10 amp fuse
- IEC standards: –
IEC 357 & BS 1075 for halogen lamp
IEC 61 & BS 51001 for lamp cap & holder
- Power cable – 3G1.5
- Generator set requirement – 2.4 kilowatt

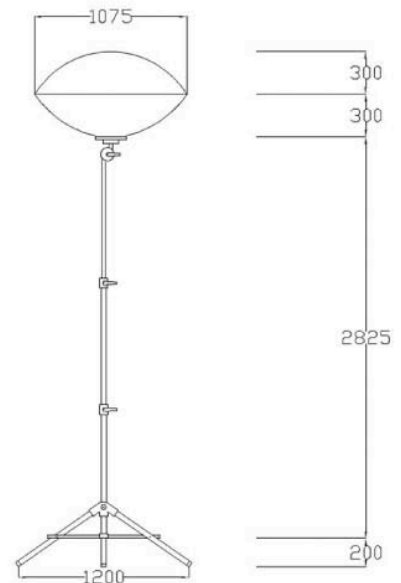


SETUP :

- Quick setup for emergency response (Max. of 2 minutes setup for 1 person)
- Balloon inflates in 45 seconds

TRANSPORT :

- Easy transport with equipment easily fitted in the boot space of a saloon car



BAG FOR STAND :

- Dimension : 1125mm length x 175mm width & 150mm height
- Material : Italiano leather sling on bag for easy carry
- Stand weight with bag is 5 kilogram

CONTAINER FOR LAMP :

- Dimension : 275mm diameter & 900mm height
- Material : Plastic container wrapped with Italiano leather & chrome steel handle for easy carry
- Balloon weight with container is 8 kilogram

LIGHTING DATA :

- Lighting coverage area at 3 meter height - 900 square meter
- Lighting area at 3 meter with minimum 10 lux – 300 square meter
- Lighting below 3 meter – 440 lux
- Efficiency – 21 lumens per watt
- Maximum lumens – 42000 lumens
- Temperature color – 3200 k

Accessories & Features

